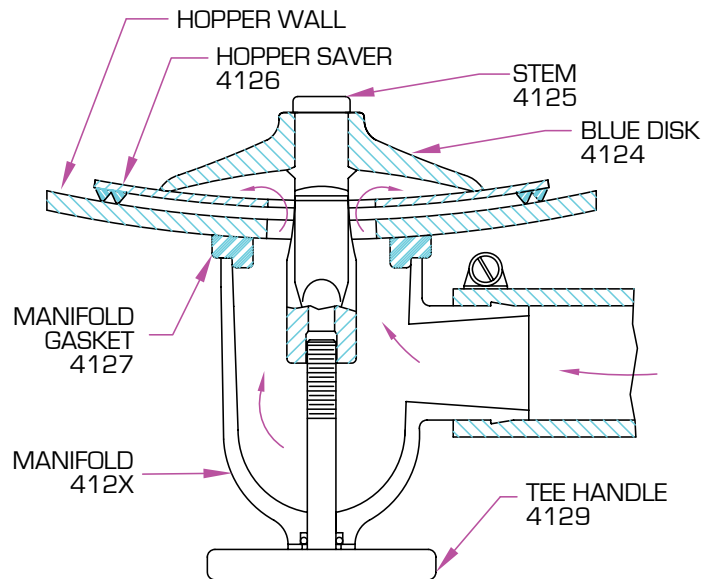


DISK FLUIDIZER INSTALLATION INSTRUCTIONS

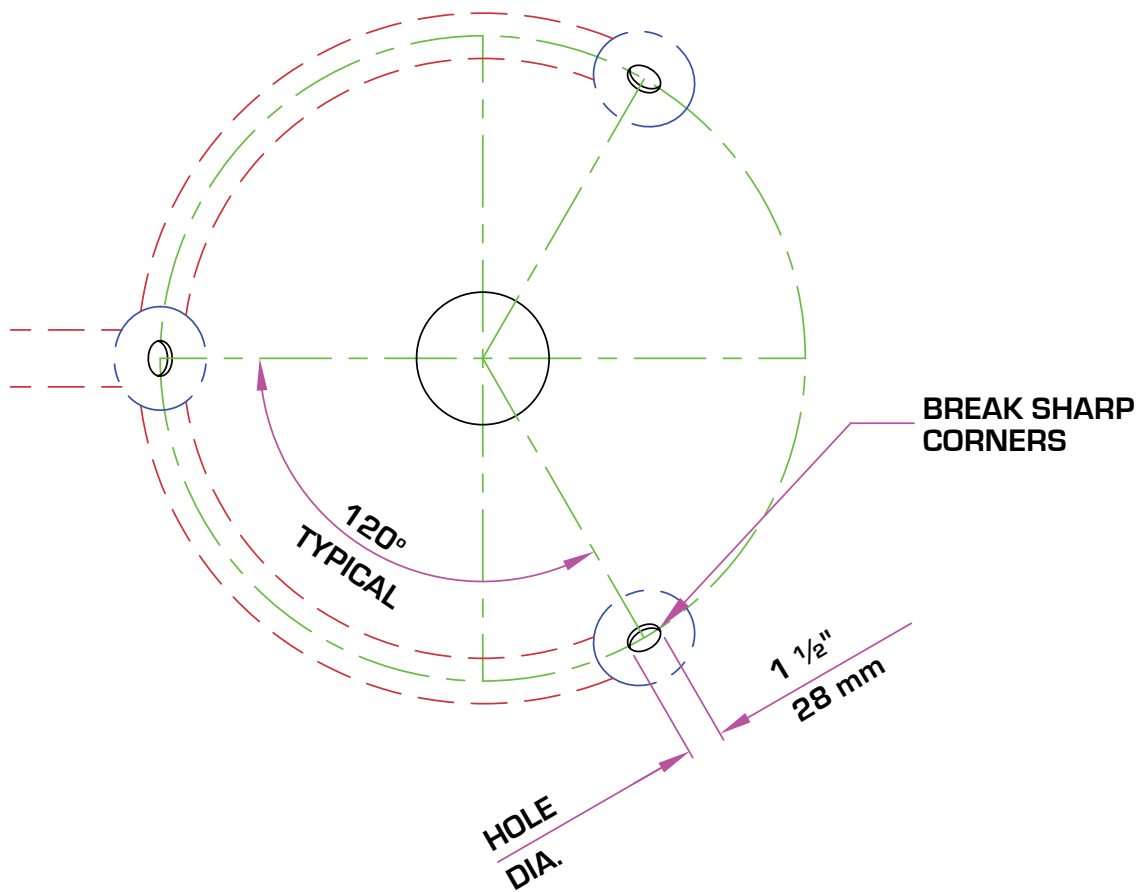


New Trailers

1. Inside: Insert the stem (4125) into the Hopper Saver (4126) through the hole in center with the rubber coated side facing the inside hopper wall. Orient the "I" up. Put the assembly in place.
2. Outside: Insert the Tee handle assembly (4129) into Manifold (412X). Put Manifold Gasket (4127) in open end of Manifold, flat side out, locating ring inside Manifold. Place Manifold over protruding Fluidizer Stem and engage Tee Handle in stem threads. Turn the Tee Handle until Manifold Gasket makes full contact with hopper. Give Tee Handle three additional twists (1 ½ full 360° turns). DO NOT OVERTIGHTEN. If the assembly has a standard bolt, tighten to 25 in/lbs.

Retro Fitting

1. Check if any product remains in hoppers. If so, open product valves so product can be pushed down into the line.
2. Remove only one Manifold at a time.
3. When going inside tank, bring all new Fluidizers, Hopper Savers, a putty knife, a wire brush, a rag and a ¾" open end wrench.
4. Remove existing aeration devices including any gaskets from inside tank.
5. To assure best seal against the hopper, clean hopper surface thoroughly. Remove any loose and caked material by scraping, wire brushing and wiping. Avoid any chipping action since it dents hopper surface and impedes gravity flow.
6. Repeat steps (1) and (2) for new trailers. If Fluidizer wants to turn inside hopper, hold top of stem with ¾" wrench.



**SOLIMAR STANDARD AERATION SYSTEM
FOR MULTI HOPPER TRAILERS**

