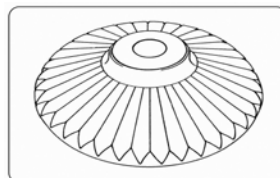
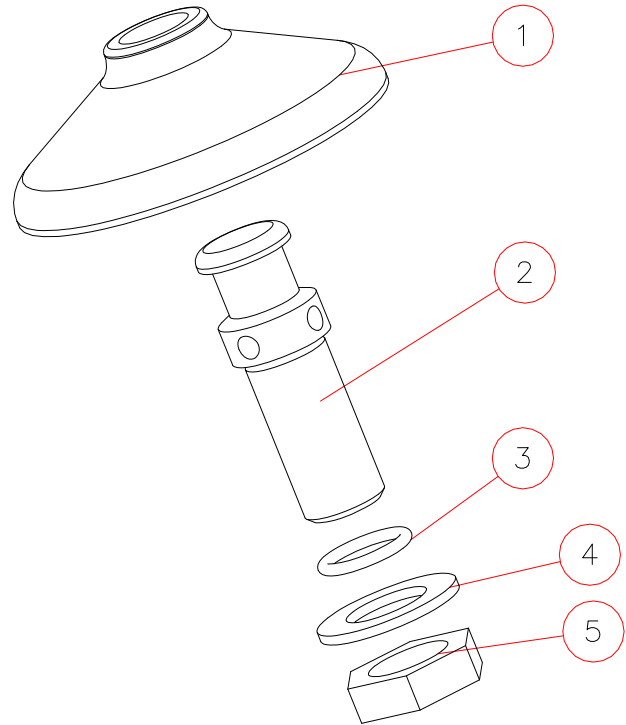


SILO FLUIDIZER SPARE PARTS

<u>Item</u>	<u>Part #</u>	<u>Description</u>
<u>Fluidizer Disks</u>		
1	4124	Blue Silicone Disk
	4124HT	Orange High Temp. Silicone Disk
	4134	White Silicone Disk
	4154	Black EPDM Disk
	4164	White EPDM Disk
<u>4300 Series</u>		
2	4310	Carbon Steel Stem
	4311	Aluminum Stem
	4312	Stainless Steel Stem
3	7561	O-Ring
4	4313	Flat Washer, Zinc Plated
	4314	Flat Washer, Stainless Steel
5	4315	1/2" Pipe Nut, Zinc Plated
	4316	1/2" Pipe Nut, Stainless Steel
<u>4400 Series</u>		
2	4410	Carbon Steel Stem
	4411	Aluminum Stem
	4412	Stainless Steel Stem
3	7755	O-Ring
4	4413	Flat Washer, Zinc Plated
	4414	Flat Washer, Stainless Steel
5	4415	3/4" Pipe Nut, Zinc Plated
	4416	3/4" Pipe Nut, Stainless Steel
<u>4500 Series</u>		
2	4510	Carbon Steel Stem
	4511	Aluminum Stem
	4512	Stainless Steel Stem
3	7714	O-Ring
4	4513	Flat Washer, Zinc Plated
	4514	Flat Washer, Stainless Steel
5	4515	1" Pipe Nut, Zinc Plated
	4516	1" Pipe Nut, Stainless Steel



Insist on genuine Solimar disks with the trademarked Radial Ridge Design

Solimar, Solimar – USA and the Radial Ridge Design are trademarks of Solimar Pneumatics

08/08