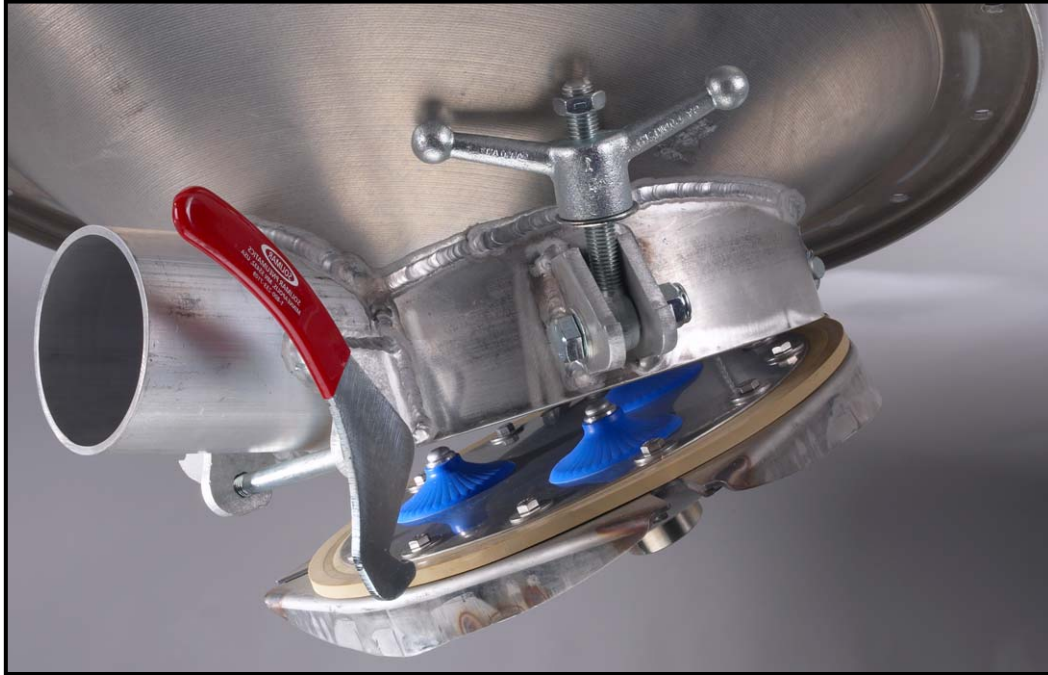


Swing Away Trailer Bottom



www.solimarpneumatics.com

PNEUMATIC OR GRAVITY UNLOADING – EASY CLEAN OUT



Pneumatic OR Gravity Unloading

Two Way Hauling of Different Products

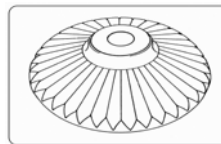
Easy Clean Out

5" or 6" Unloading Pipes

Rugged Design for Long Service

Bolt On or Weld On

Swing Away Bottoms offer the best in versatility for customers looking for multipurpose use of their bulk trailer. Swing Away Bottoms permit pneumatic or gravity discharge, allow for easy clean out and washing and can be used for two-way hauling of different products



Insist on genuine Solimar disks with the trademarked Radial Ridge Design

Solimar Pneumatics

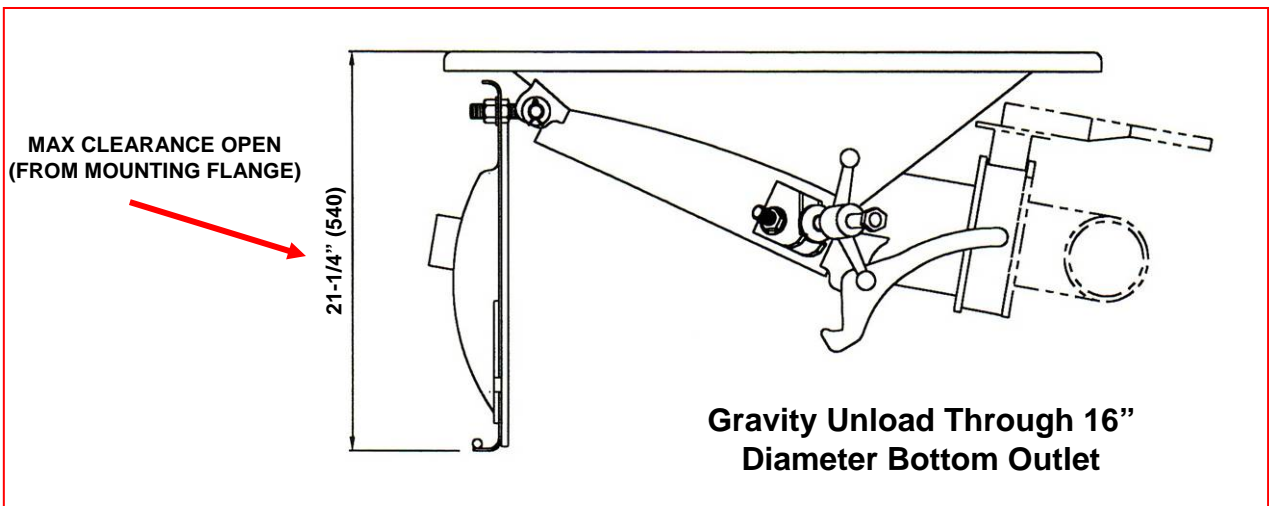
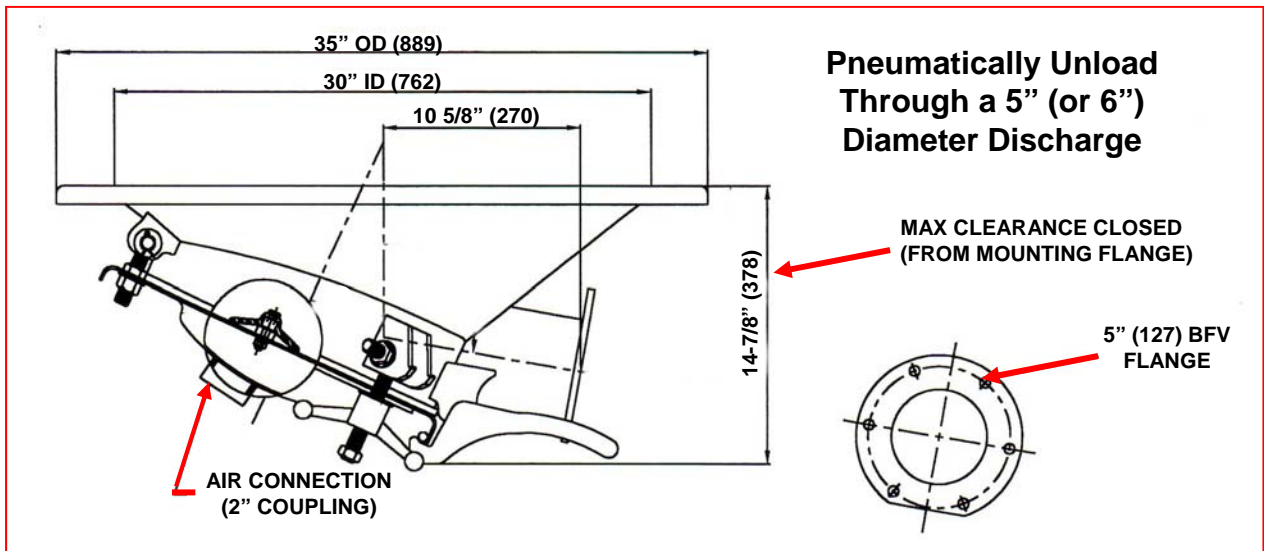
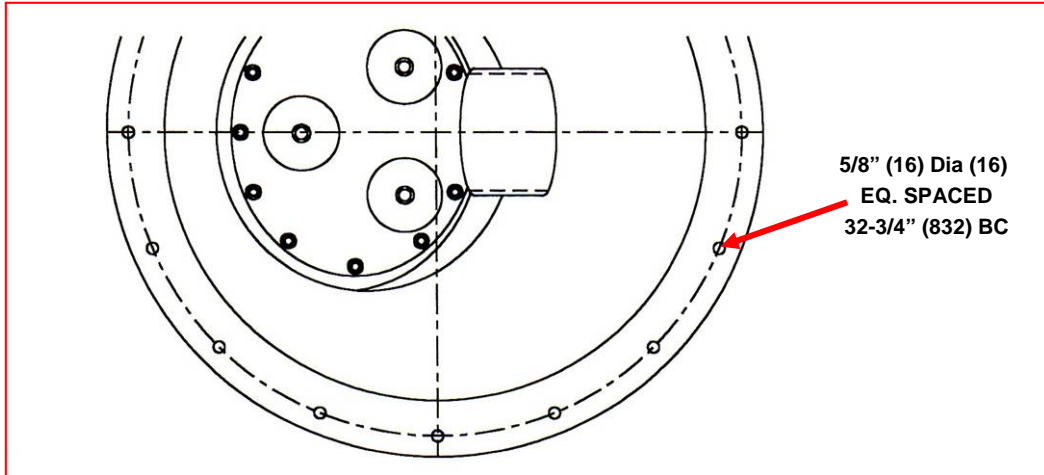
Minneapolis, MN 55432 USA

1 800 233.7109

Tel: 763 574.1820 / Fax: 763 574.1822

e-mail: solimar@solimarpne.com

Swing Away Trailer Bottoms



08/08



1 800 233.7109

Tel: 763 574.1820 / Fax: 763 574.1822

e-mail: solimar@solimarpne.com