

Aluminum Hopper Cones



www.solimarpneumatics.com

STANDARD HOPPERS FOR NEW & USED DRY BULK TRAILERS



ALUMINUM - WELD ON & BOLT ON STYLES

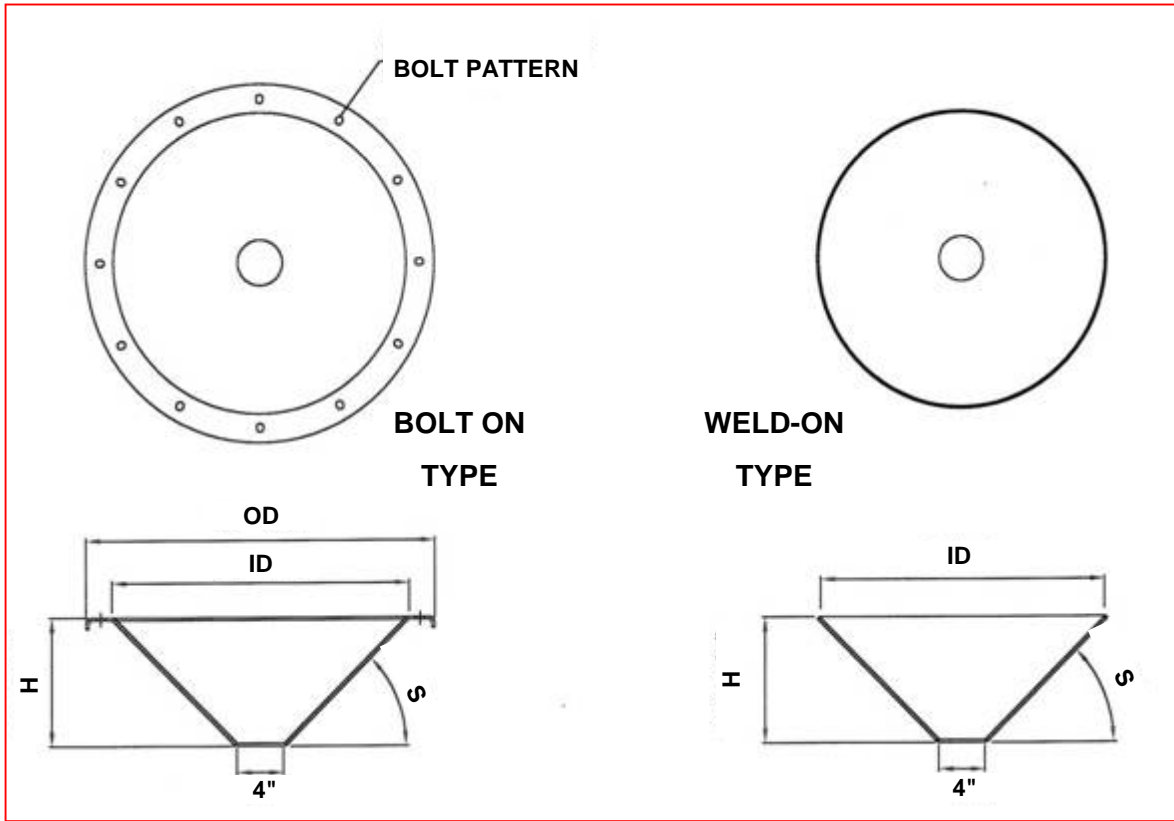
Aluminum hopper cones for dry bulk trailer applications. Whether you are looking for bolt-on, or weld on applications, Solimar carries high quality spun cones in a variety of sizes to fit your needs.

Solimar Pneumatics is a leading designer and supplier of aeration systems and engineered components for the dry bulk material handling industry.

Solimar Pneumatics
Minneapolis, MN 55432 USA

1 800 233.7109
Tel: 763 574.1820 / Fax: 763 574.1822
e-mail: solimar@solimarpne.com

Aluminum Hopper Cones



<u>Part #</u>	<u>ID</u>	<u>OD</u>	<u>Slope</u>	<u>Height</u>	<u>Type</u>	<u>Bolt Pattern</u>
5065	26"	31"	45°	10 7/8"	Bolt on	(12) on 28 3/8" BC
5067	26"	--	45°	10 7/8"	Weld on	--
9106	30"	35"	38°	8 5/8"	Bolt on	(16) on 32 3/4" BC
5068	33"	--	45°	14 5/8"	Weld on	--

08/08



1 800 233.7109

Tel: 763 574.1820 / Fax: 763 574.1822

e-mail: solimar@solimarpne.com