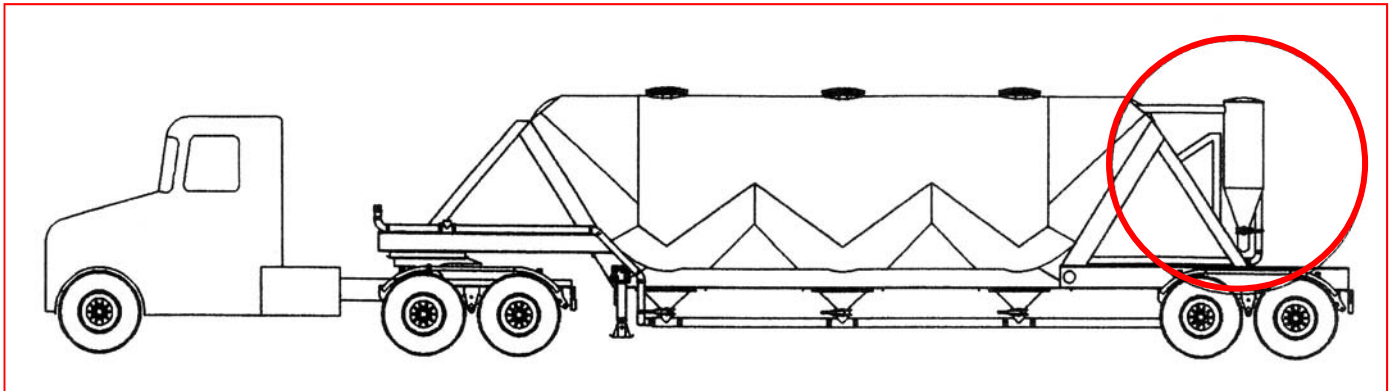


External Mount Filter For Self Loading Trailers



www.solimarpneumatics.com

UNIQUE FILTER MEDIA SIGNIFICANTLY REDUCES DUST



Large Filter Area in a Small Space

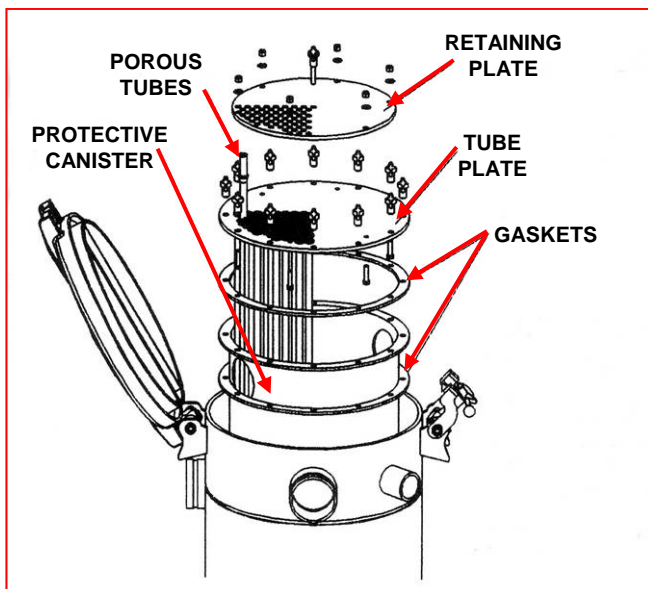
Easy Inspection

120 ft² or 183 ft² of Surface Area

600 or 900 SCFM

Longer Life

External Filter System significantly reduces dust using unique filtering media of porous polymer tubes. Using multiple 36" tubes, each with ½ ft² of filter area, the Solimar External Filter System can provide 120 ft² to 183 ft² of filter area depending on the Filter model.



The porous tubes are fitted in an aluminum tube plate, and held in place by an aluminum retaining plate. The tubes can be individually removed for inspection or replacement.

A Tradition of Leadership - Solimar has over 40 years of experience in pneumatic systems and components for dry bulk handling. Solimar provides engineered solutions to the most difficult material flow problems.

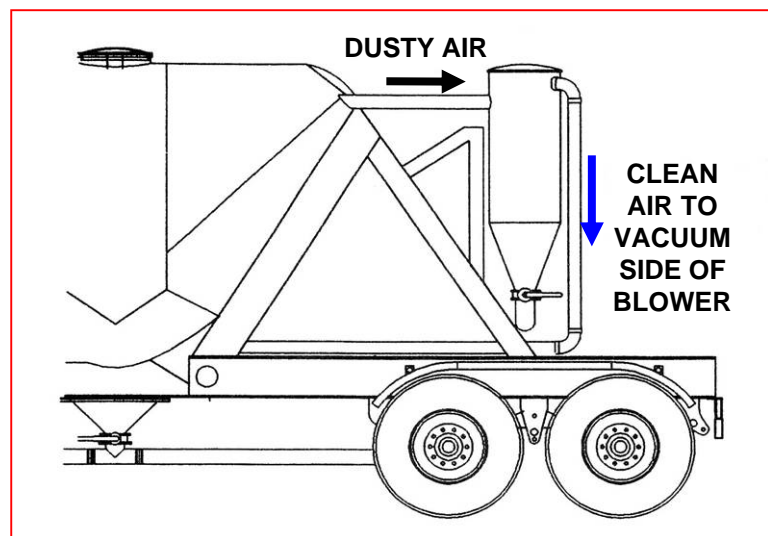
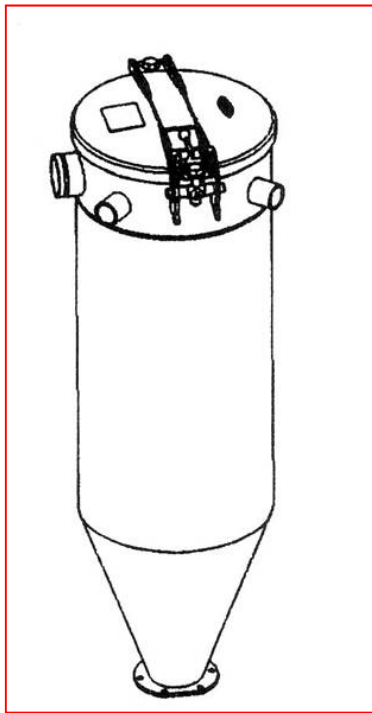
Solimar Pneumatics
Minneapolis, MN 55432 USA

1 800 233.7109
Tel: 763 574.1820 / Fax: 763 574.1822
e-mail: solimar@solimarpne.com

External Mount Filter for Self Loading Trailers

The Solimar Filter System is available in two canister sizes, providing two options to meet your requirements.

Model	Canister Diameter	Filter Tube Length	Filter Area (square feet)	Air Flow (SCFM)
6071	20"	36"	120	600
6070	24"	36"	183	900



The Solimar Filter System is equipped with a pressure relief valve to prevent the blower from starving for air and possible damage.

Accept No Substitutes – The Solimar Filter is in a class by itself and is not interchangeable for reliability and durability with any other filter system. Accept no substitute. Specify Solimar Filters.

Solimar products are used in over 60 countries around the world in over 120 bulk material applications.

08/08



1 800 233.7109

Tel: 763 574.1820 / Fax: 763 574.1822

e-mail: solimar@solimarpne.com