

Butler® Manhole Cover Replacement Parts



www.solimarpneumatics.com

Item	Part #	Description	Price US\$
1	C-901559	Cover, Blank	
2	C070094	Hold Down Lug	
3	B-902370	Upper Hinge	
4	A-901603	Gasket, Black	
	070099	Gasket, White	
5	B-901546	Gasket Retainer Lug (includes O-Ring)	
6	7025	Hex Head Bolt, 3/8" – 16 x 1-1/4" S.S.	
7	7106	Two Way Locknut, 3/8" – 16 S.S.	
8	7077	Flat Washer, 3/8" S.S.	
9	319665	O-Ring, FDA White	
10	7080	Washer, EPDM Backed, 3/8" S.S.	
11	C-904191	Collar, 6" tall	
12	B-070096	Cam	
13	B-070097	Pivot Block	
14	A-070098	Eye-Bolt	
15	A-070465	Pivot Block Bracket	
16	A-381571	L.H. Hinge Bracket	
17	A-381572	R.H. Hinge Bracket	
18	A-384282	Hinge Pin, 1/2" Diameter x 5"	
19	A-070468	Pivot Block Pin, 1/2" Diameter x 2-7/8"	
20	096241	Jam Nut, 1/2" - 13	
21	096208	Cotter Pin	
22	7024 / 7107	Hex Head Bolt, 3/8" – 16 x 1" w/ Locknut S.S.	
23	C-384280	Safety Latch Assembly (see below)	
24	A-070469	Cam Pin, 1/2" Diameter x 2-1/4"	
25	7080	Washer, EPDM Backed, 3/8" S.S.	
26	3508	Decal, Danger Do Not Open	
	315294	Manhole Service Kit (Items 13, 14, 19, 20, 21, 24)	
	901556	Cover Assembly (Items 1-10, 26)	
	900698	Collar Assembly, 6" Tall (Items 11-25)	
	901557	Complete Manhole Assembly (Items 1-26)	
SAFETY LATCH ASSEMBLY			
41	B-384281	Safety Latch	
42	B-070097	Pivot Block	
43	095410	Flat Washer, 1/2" S.S.	
44	096208	Cotter Pin	
45	A-384282	Hinge Pin, 1/2" Diameter x 5"	
46	900010	Spring Washer, 1/2"	

A Tradition of Leadership - Solimar has over 40 years of experience in pneumatic systems and components for dry bulk handling. Solimar provides engineered solutions to the most difficult material flow problems.

Solimar Pneumatics

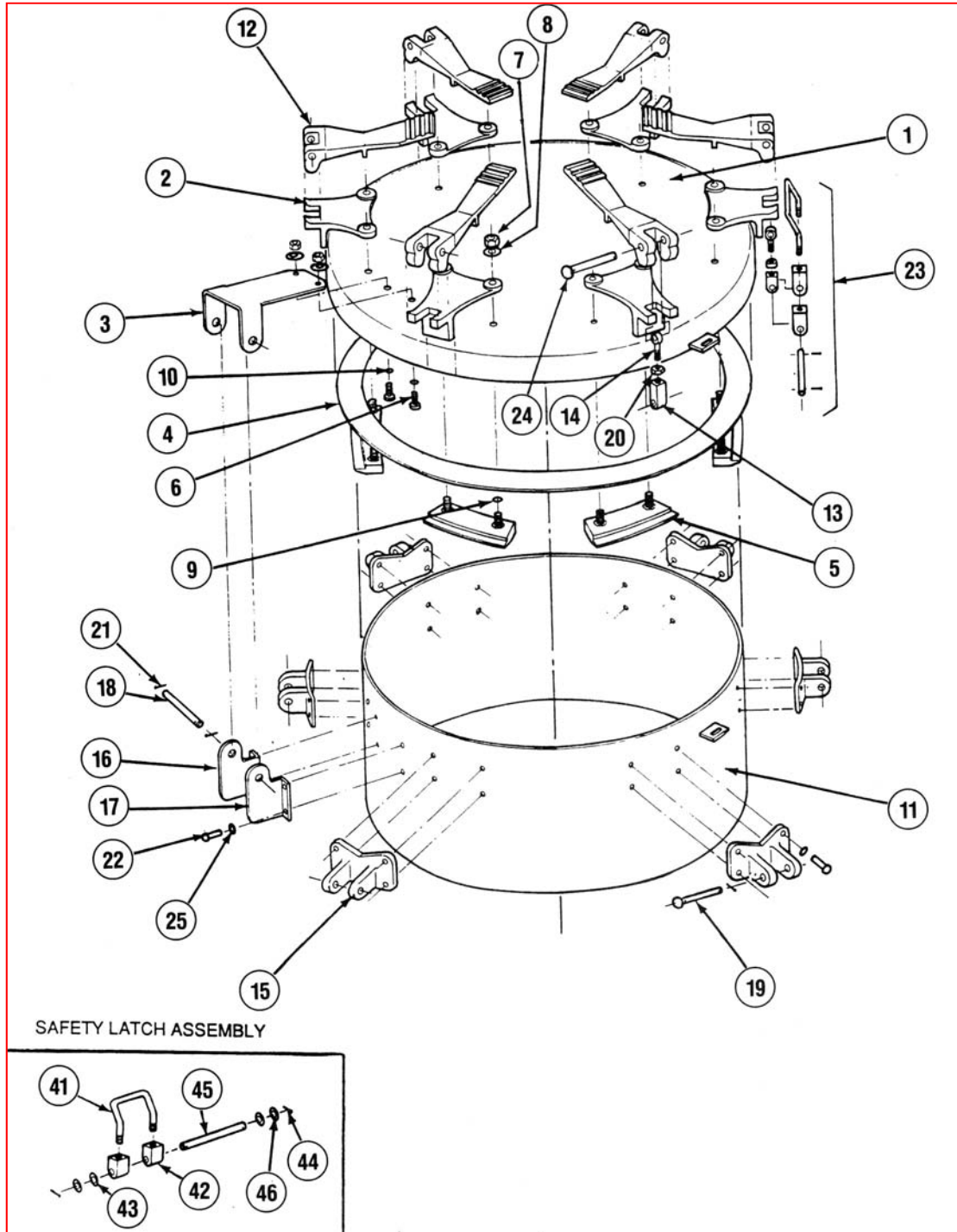
Minneapolis, MN 55432 USA

1 800 233.7109

Tel: 763 574.1820 / Fax: 763 574.1822

e-mail: solimar@solimarpne.com

Butler Manhole Cover Replacement Parts



Worldwide Service - Solimar products are used in over 60 countries around the world in over 120 bulk material applications.

08/08



1 800 233.7109

Tel: 763 574.1820 / Fax: 763 574.1822

e-mail: solimar@solimarpne.com