

# Aluminum Hopper Cones



[www.solimarpneumatics.com](http://www.solimarpneumatics.com)

STANDARD HOPPERS FOR NEW & USED DRY BULK TRAILERS



## ALUMINUM - WELD ON & BOLT ON STYLES

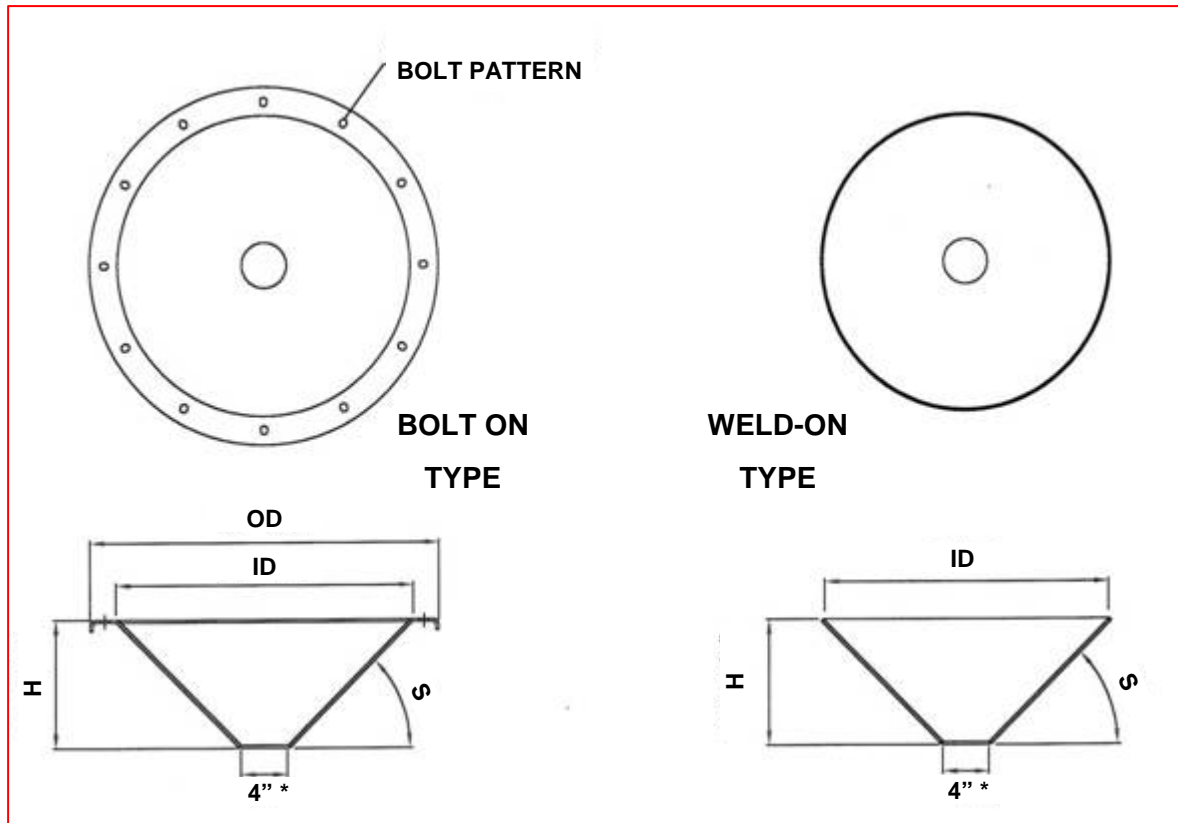
**Aluminum hopper cones** for dry bulk trailer applications. Whether you are looking for bolt-on, or weld on applications, Solimar carries high quality spun cones in a variety of sizes to fit your needs.

**Solimar Pneumatics** is a leading designer and supplier of aeration systems and engineered components for the dry bulk material handling industry.

**Solimar Pneumatics**  
Minneapolis, MN 55432 USA

1 800 233.7109  
Tel: 763 574.1820 / Fax: 763 574.1822  
e-mail: [solimar@solimarpne.com](mailto:solimar@solimarpne.com)

# Aluminum Hopper Cones



<u>Part #</u>	<u>ID</u>	<u>OD</u>	<u>Slope</u>	<u>Height</u>	<u>Type</u>	<u>Bolt Pattern</u>
5065	26"	31"	45°	10 7/8"	Bolt on	(12) on 28 3/8" BC
5067	26"	--	45°	10 7/8"	Weld on	--
9106	30"	35"	38°	8 5/8"	Bolt on	(16) on 32 3/4" BC
5068	33"	--	45°	14 5/8"	Weld on	--

\*\*\*Note: #9106 has a 7" bottom dimension. All others can be cut to accommodate a 4" or larger outlet flange.

03/10



1 800 233.7109

Tel: 763 574.1820 / Fax: 763 574.1822

e-mail: [solimar@solimarpne.com](mailto:solimar@solimarpne.com)