

SOLIMAR

Since 1985

Manhole Cover For Liquid Tanks

**FAST, EASY AND
SAFE OPERATION**

**Water
Crude Oil
Asphalt**



What Sets Us Apart From the Rest

- Single pivoting-ball handle quickly opens and closes the cover.
- Extremely Low Profile - 4.25" from vessel centerline top on transverse mounted assembly.
- Lightweight cast aluminum cover is easy to step on and over - **No protruding clamping lugs to trip on.**
- Leak Free - Self-sealing, hollow gasket allows for distortion in collar for tightfit. Easy to install, remove, clean and replace - **No glue needed.**
- DOT 407 compliant.
- Working pressure of 25 psig (MAWP), test pressure of 45 psig.

Solimar Pneumatics | Minneapolis, MN 55432 USA | 1.800.233.7109 | P: 763.574.1820

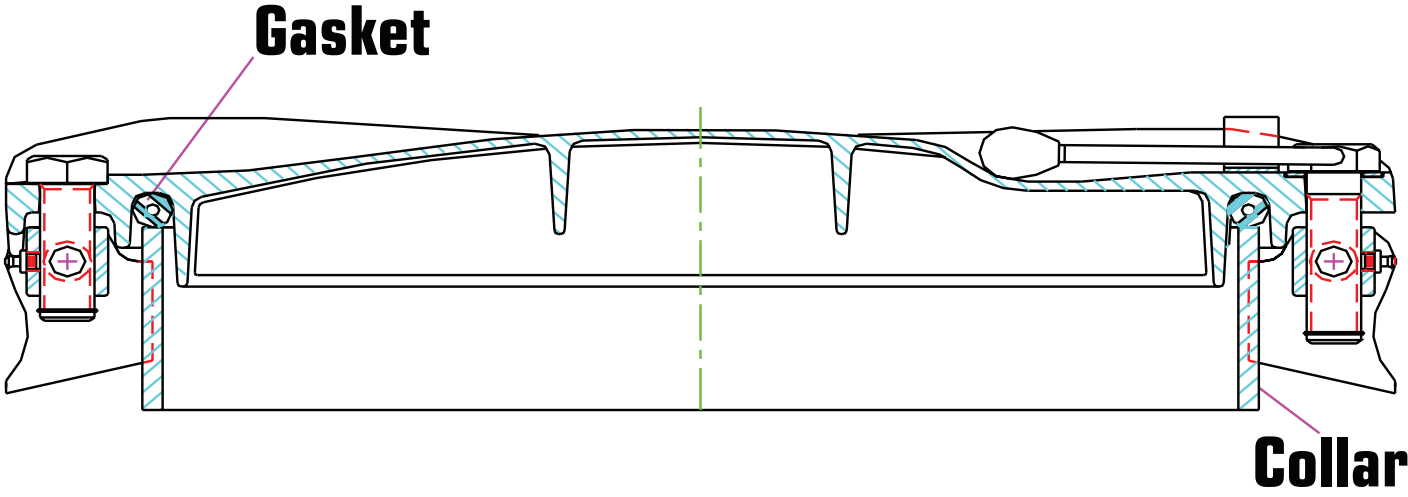
F: 763.574.1822 | email: solimar@solimarpne.com | www.solimarpneumatics.com

Solimar, Solimar-USA and the Radial Ridge Design are trademarks of Solimar Pneumatics



Since 1985

Manhole Cover For Liquid Tanks



Selection Example: Assembly desired is 3/8" x 5" Aluminum collar with a viton gasket
39 + 1 (3/8" x 5" Alum) + 3 (Viton) = Assembly #3913

Assembly	Collar Selection	Gasket Material
39	0 3/8" x 4" Aluminum, Transverse Mounting	0 SBR (black)
	1 3/8" x 5" Aluminum, Longitudinal Mounting	1 Neoprene, Oil Resistant (black)
	2 1/4" x 4" Steel, Transverse Mounting	2 EPDM (white)
	3 1/4" x 5" Steel, Longitudinal Mounting	3 Viton, High Temperature (black)
	4 1/4" x 4" SS, Transverse Mounting	
	5 1/4" x 5" SS, Longitudinal Mounting	

Proven Performance. The Solimar Manhole Cover has been used as original equipment by leading manufacturers world-wide as well as for retrofitting existing tanks. The Solimar Manhole Cover is not interchangeable for reliability and durability with any other cover. Accept no substitute, specify Solimar.